

# **MK3 Powertex** Facing Coat Spray Gun



**POWER-SPRAYS**

4.5 Litre capacity hopper

Elbow adapter can be rotated, or removed, for spraying upwards, downwards, or horizontally

Thumbscrews allow toolless disassembly, for easy maintenance

5mm and 7mm nozzles supplied as standard

Adjustable, lockable trigger stop

Air valve allows the air pressure to be fine-tuned, for the ideal spray pattern



The MK3 Powertex Facing Coat Sprayer has been specifically designed for the rapid and economic application of a wide range of surface finishes and for spraying "mist" and facing coats used in GRC (Glassfibre Reinforced Concrete) production.

The MK3 Powertex Facing Coat Sprayer is easy to operate. A range of finishes can be achieved by simply selecting the correct size of nozzle, adjusting the trigger displacement and regulating the air pressure.

Maintenance is also easy; just undo one thumbscrew to dismantle the gun for cleaning.

Each MK3 Powertex Facing Coat Sprayer is supplied with a material hopper, an elbow adaptor (for spraying floors and ceilings) and a spares pack with additional nozzle.

Apart from mist and facing coats for GRC, the MK3 Powertex Gun can also be used for:

- Cement Paints
- Vermiculite and Perlite Mixes
- Aggregate Loaded Resins
- Veneer and Plaster Finishes
- Stone Paints
- Cementitious Mixes
- Emulsion Paints
- Non-slip Deck Coatings

### Specifications

<b>Weight</b>	1.8kg (4lbs)
<b>Dimensions</b>	230mm wide x 480mm high x 360mm deep
<b>Hopper Capacity</b>	4.5L (1 gallon)
<b>Air Consumption</b>	200L/min (7CFM) approx. at minimum pressure of 2.8 Bar (40psi)*
<b>Air Inlet</b>	¼" BSP thread (10m airline optional)
<b>Nozzle Size</b>	5mm and 7mm supplied as standard. 4mm and 6mm optional. Special sizes made to order

\* Note: Excessive hose lengths may require an increase in air supply

### Why Buy from Power-Sprays?

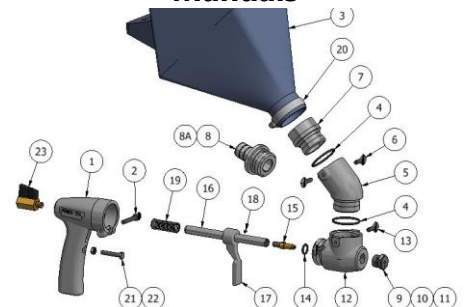
#### Support



#### Experience



#### Comprehensive Technical Manuals



#### Power-Sprays Ltd

Avonmouth Way, Bristol, BS11 9YA, UK

Tel: +44 (0)117 9820067 Fax: +44 (0)117 9820060

Email: [info@power-sprays.co.uk](mailto:info@power-sprays.co.uk) Web: [www.power-sprays.com](http://www.power-sprays.com)

